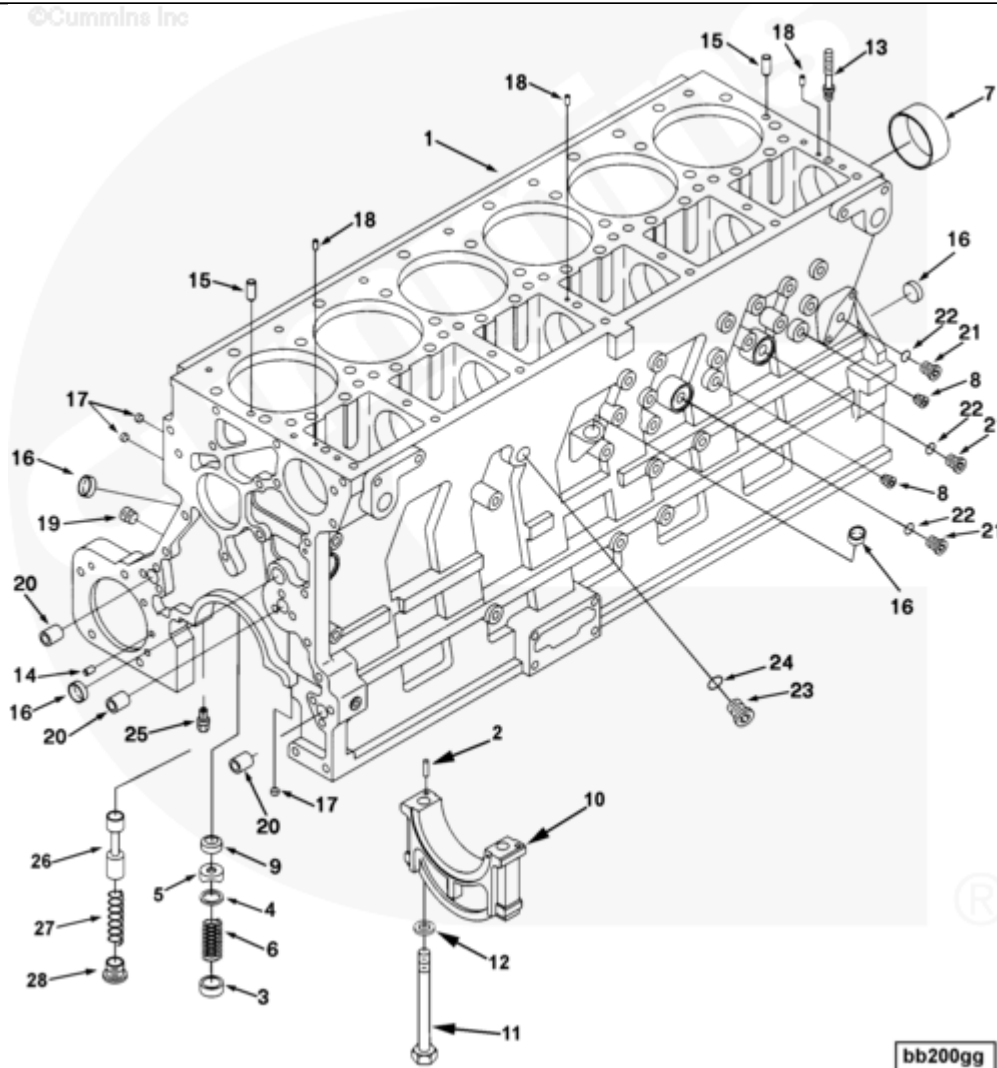




## Parts Catalog - Option Detail

Electronic Parts Catalog - Option Detail				
Option	Group	Graphic	Film Card	Date
BB2762-05	01.01	bb200gg	II	23-DEC-03
<b>Engines</b>	ISM CM570, ISM CM570/870, ISM CM875, ISM CM876, ISM CM876 E, ISM11 CM876 M103, ISM11 CM876 SN, M11 CELECT, M11 CELECT PLUS, M11 MECHANICAL, QSM11 CM570, QSM11 CM876			



SMALL | MEDIUM | LARGE

Cart	Ref No	Part Number	Part Description	Required	Remarks
View My Cart					
		BB2762-05	Cylinder Block		
					Cylinder Block

					Hyd Dri Gear Max Torque
					Capability: 209.132 Nm
					(154 LB FT)
					Increased Soot Level
					Capability:
					Geometry Revised: No
					Unique Characteristics:
					Primed Cylinder Block
<input type="checkbox"/>		4060394	Cylinder Block	1	Recon Equivalent 4060394RX
	1	4060393	Cylinder Block	1	
<input type="checkbox"/>	2	148555	Pin Dowel	2	
<input type="checkbox"/>	3	179063	Retainer Plug	1	
<input type="checkbox"/>	4	3014754	Plain Washer	1	
<input type="checkbox"/>	5	3014755	Valve Disc	1	
<input type="checkbox"/>	6	3014756	Compression Spring	1	
<input type="checkbox"/>	7	3820566	Bushing	7	
<input type="checkbox"/>	8	3008466	Pipe Plug	2	1/4 NPT.
<input type="checkbox"/>	9	3026758	Pressure Regulator Valve Seat	1	
<input type="checkbox"/>	10	4060388	Main Bearing Cap	1	No. 4 Only
<input type="checkbox"/>	10	3026961	Main Bearing Cap	1	No. 7 only
<input type="checkbox"/>	10	4060391	Main Bearing Cap	1	No. 1,2,3,5 and 6 only
<input type="checkbox"/>		3803504	Screw Hexagon Head Cap Kit	14	
<input type="checkbox"/>	11	3328742	Hexagon Head Cap Screw	1	M14 x 1.50 x 160
<input type="checkbox"/>	12	3019631	Plain Washer	1	1/2 inch
<input type="checkbox"/>	13	3895832	Stud	7	M10 x 1.00 x 50
<input type="checkbox"/>	14	70550	Pin Dowel	1	5/16 x 1/2 inch
<input type="checkbox"/>	15	142207	Pin Dowel	2	7/16 x 1 inch
<input type="checkbox"/>	16	3007635	Expansion Plug	4	1 inch
<input type="checkbox"/>	17	3007632	Expansion Plug	9	0.378 Dia

<input type="checkbox"/>	18	<a href="#">3008446</a>	Pin Dowel	3	6.00 x 12.00 mm
<input type="checkbox"/>	19	<a href="#">3008468</a>	Pipe Plug	1	1/2 NPT.
<input type="checkbox"/>	20	<a href="#">3026231</a>	Ring Dowel	3	19.23 mm
<input type="checkbox"/>		<a href="#">3037536</a>	Threaded Plug	4	9/16 - 18 UNF
	21	<a href="#">3040813</a>	Threaded Plug	1	9/16 - 18 UNF
<input type="checkbox"/>	22	<a href="#">3037537</a>	O-Ring Seal	1	
<input type="checkbox"/>		<a href="#">3046202</a>	Threaded Plug	1	3/4 - 16 UNF.
	23	<a href="#">3040810</a>	Threaded Plug	1	
<input type="checkbox"/>	24	<a href="#">3046201</a>	O-Ring Seal	1	
<input type="checkbox"/>	25	<a href="#">3069728</a>	Viscosity Sensor	1	Oil.
<input type="checkbox"/>	26	<a href="#">3068979</a>	Pressure Regulator Plunger	1	
<input type="checkbox"/>	27	<a href="#">3010146</a>	Compression Spring	1	
<input type="checkbox"/>	28	<a href="#">3821725</a>	Retainer Plug	1	
<input type="checkbox"/>		<a href="#">3053349</a>	Pin Dowel	1	Replaces ref 20 for
					applications not
					requiring hydraulic drive.